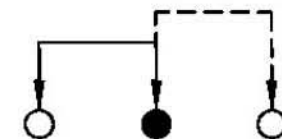
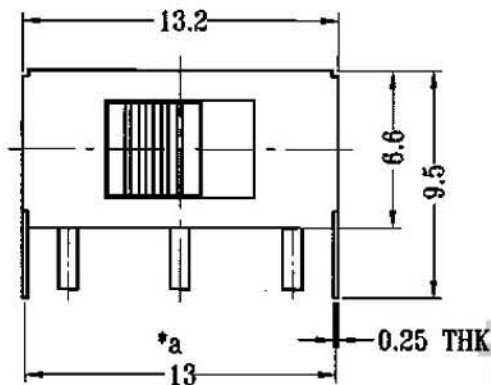
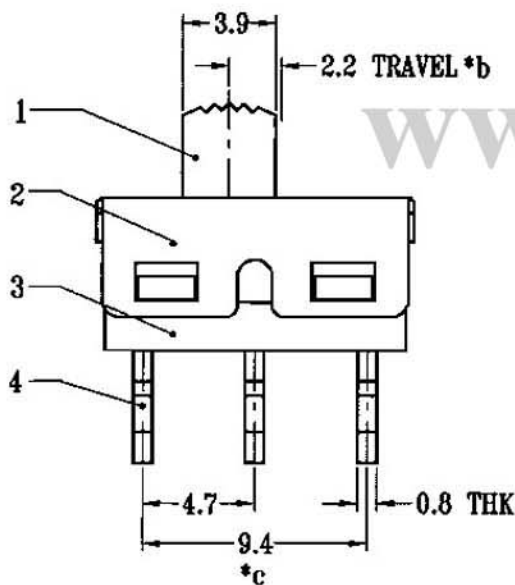


ROHS

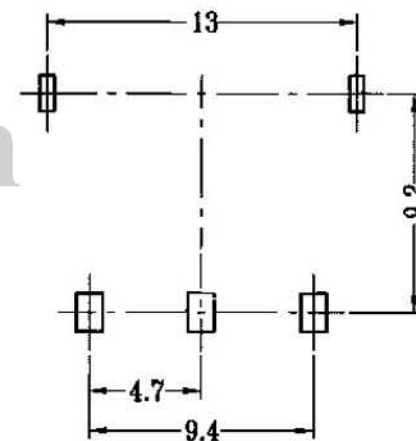
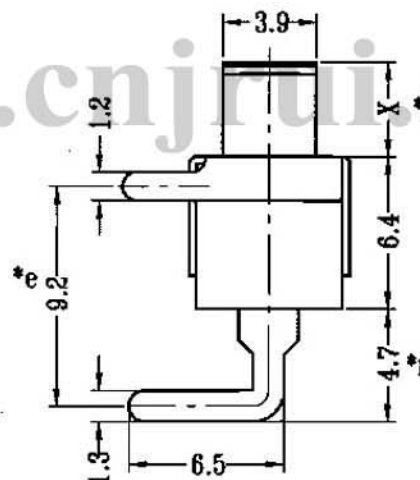


SCHEMATIC(NON-SHORTING)




竟锐电子

www.cnjrui.com



P.C.B LAYOUT

注：“*”表示关键尺寸（6个）.

8						TITLE:SLIDE SWITCH		 东莞市竟锐电子有限公司 Dongguan CNJRUI ELECTRONICS CO.,LTD			
7						MODEL:	DWN.				
6						SS-12D11 1P2T	CHK'D				
5						TOLERANCE	APPD.	Contact us:			
4						UNLESS SPECIFIED	C	www.cnjrui.com			
3						WITHIN 1.5mm:±0.1mm	B	sales@cnjrui.com			
2						OVER 1.5mm:±0.2mm	A				
1						UNIT:mm	SCALE:4:1	ASSUE	DATE	RTEVISION	APPD.